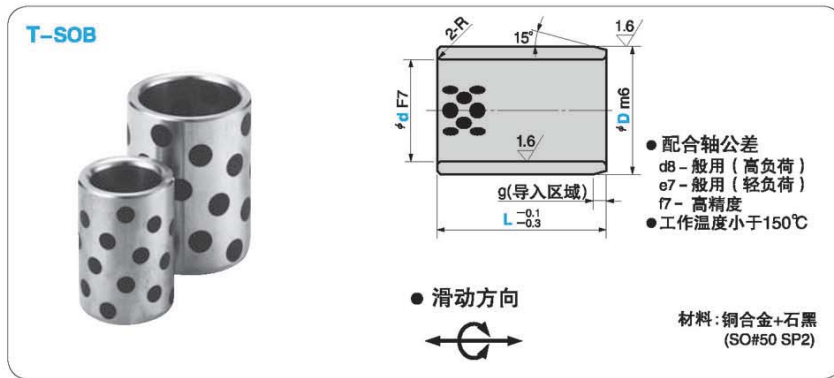


Die Guide Components

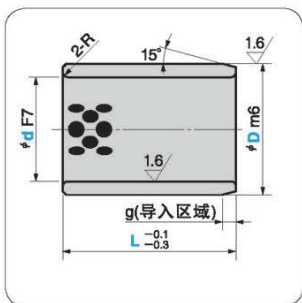
模具导向部件



订购举例 规格 **d** - **D** - **L**  
T-SOB 19 - 26 - 20

d F7	D m6	R	g	可用垫片	规格	d	D	L
6	$\begin{smallmatrix} +0.022 \\ +0.010 \end{smallmatrix}$	10	$\begin{smallmatrix} +0.015 \\ +0.006 \end{smallmatrix}$			6	10	12
8		12		0.5		8	12	8 10 12
				1				15
10	$\begin{smallmatrix} +0.028 \\ +0.013 \end{smallmatrix}$	14			T-SOBW10	10	14	8 10 12 15
		15	$\begin{smallmatrix} +0.018 \\ +0.007 \end{smallmatrix}$	1				20 10
				0.5				8 10 12
12		18			T-SOBW12	12	18	15 16 19 20 25
				1				20
				2				30
13	$\begin{smallmatrix} +0.034 \\ +0.016 \end{smallmatrix}$	19		0.5				10 12
				1	T-SOBW13	13	19	15 16 20
				1				25
				0.5				10 12
14		20			T-SOBW14	14	20	15 20 25 30
				1				20

d F7	D m6	R	g	可用垫片	规格	d	D	L
			0.5					10 12
15	21							15 16 20 25 30
			1		T-SOBW15	15	21	10 12 15 16
			0.5					12 15 16
16	$\begin{smallmatrix} +0.034 \\ +0.016 \end{smallmatrix}$	22				16	22	19 20 25 30 35 40
					T-SOBW16			16 19 20 25 30
17		23				17	23	15 10 12 15
								16
18		24				18	24	20 25 30 35 40
			1		T-SOBW18			20 25 30 35 40
			2					16
19		26				T-SOB	19	15 20 10 12 15 16 19
								10 15 16 19
		28					28	20 25 30 35 40 50
					T-SOBW20			10 15 16 19
20						20		10 12 15 16 19 20 25 30 35 40 50
			2					10 12 15 16 19 20 25 30 35 40 50
								10 12 15 16 19 20 25 30 35 40 50
			1					10 12 15 16 19 20 25 30 35 40 50
			2				30	20 25 30 35 40 70
22		32				22	32	12 15 20 25 12 15 20 25
								12 15 20 25
			1					12 15 20 25
			2					12 15 20 25
25		33				25	33	15 16 20 25
					T-SOBW25			15 16 20 25
			2					15 16 20 25



订购举例

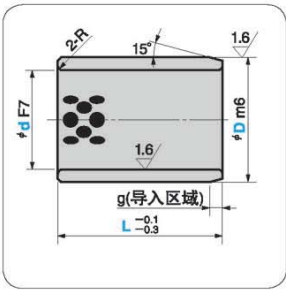
规格	d	-	D	-	L
T-SOB	35	-	45	-	25

Die Guide Components

d F7	D m6	R	g	可用垫片	规格	d	D	L
								30
								35
	33		2	T-SOBW25		33		40
								50
								60
25			1			25		12
								15
								16
	35			-				20
						35		25
			2					30
								35
								40
								50
			1					20
28			2	T-SOBW28		28	38	25
								30
								40
	$\begin{matrix} +0.041 \\ +0.020 \end{matrix}$				T-SOB			12
			1	2				15
	38	$\begin{matrix} +0.025 \\ +0.009 \end{matrix}$						20
								25
								30
				T-SOBW30			38	35
			2					40
								50
30						30		60
								12
			1					15
								20
								25
	40			-			40	30
								35
			2					40
								50
								60
31.5	$\begin{matrix} +0.050 \\ +0.025 \end{matrix}$			-		31.5	40	30
								40

d F7	D m6	R	g	可用垫片	规格	d	D	L
				1				15
32	42					32	42	20
				2				30
				1				40
								20
								25
	44		2	T-SOBW35		44		30
								35
								40
								50
35			1.5			35		60
			1					15
								20
								25
	45	$\begin{matrix} +0.025 \\ +0.009 \end{matrix}$		-			45	30
			2					35
								40
								50
								60
38	48					38	48	30
								40
			1					15
								20
								25
								30
	50			2	T-SOBW40		50	35
								40
				2	T-SOB	40		50
40	$\begin{matrix} +0.050 \\ +0.025 \end{matrix}$					40		60
								70
								80
			1					15
								25
								30
							55	35
								40
								50
								60
								30
								35
							55	40
								50
								60
								30
								35
								60
								60
								30
								35
45	56	$\begin{matrix} +0.030 \\ +0.011 \end{matrix}$		2	T-SOBW45		45	40
								50
								60
								30
								35
								40
								50
							60	60
								70
								80
								20
								30
50				1				20
				2	T-SOBW50	50	60	30

模具导向部件



订购举例

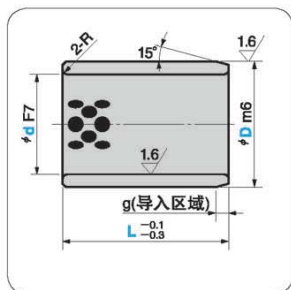
规格	d	-	D	-	L
T-SOB	50	-	65	-	80

Die Guide Components

d F7	D m6	R	g	可用垫片	规格	d	D	L
								35
								40
	60		2	2			60	50
			3	3				60
								70
								80
								30
								35
50	$\begin{matrix} +0.050 \\ +0.025 \end{matrix}$	62	2	2	T-SOBW50	50	62	40
			3	3				50
								60
								70
								80
			2	2				30
								40
	65					65		50
			3	3				60
								70
								80
					T-SOB			100
								30
								35
55		70	2	2	T-SOBW55	55	70	40
			3	3				50
								60
								70
			2	2				30
								35
								40
	$\begin{matrix} +0.060 \\ +0.030 \end{matrix}$	74					74	50
			3	3				60
								70
								80
60					T-SOBW60	60		100
								30
			2	2				35
								40
		75				75		50
								60
			3	3				70
								80
								100

模具导向部件

d F7	D m6	R	g	可用垫片	规格	d	D	L
63				3 3	-	63	75	60
								70
								80
								40
				2 2				50
65		$\begin{matrix} +0.030 \\ +0.011 \end{matrix}$		3 3	T-SOBW65	65	80	60
								70
								80
								30
								35
								40
				2 2				50
					T-SOBW70		85	60
								70
70						70		80
								100
								50
								60
							90	70
								80
				3 3				100
								50
								60
							90	70
								80
								100
								50
								60
75					T-SOBW75	75		80
								100
								60
					T-SOB		95	70
								80
								100
								20
				1 2				40
								50
								60
								70
								80
								100
								120
								40
								50
								60
								70
								100
								120
								140
								25
85				2 2				60
				3 3		85	100	80
								30
				2 2				50
								60
								70
								80
								90
								100
								120
								25
								60
								80
								30
								50
								60
								70
								80
								90
								100
								120
90						90	110	80
								90
								100
								120



订购举例

规格 **d** - **D** - **L**  
 T-SOB 120 - 140 - 100

d F7	D m6	R	g	可用垫片	规格	d	D	L
100	115	3	3		T-SOBW100	100	115	100
		2	2	40				
	120	+0.035						50
		+0.013						60
								70
110	130				—	110	130	80
								90
								100
								120
								140
120	140				3	120	140	50
								70
								80
								100
								120
125	145				3	125	145	100
								120
								80
								100
								120
130	150				3	130	150	100
								130
								100
								130
								140
140	160				3	140	160	100
								140
								80
								100
								140
150	170				4	150	170	100
								150
								80
								100
								150
160	180				3	160	180	100
								150
								100
								150
								100
170	190				3	170	190	100
								150
								100
								150
								100
180	200				3	180	200	100
								150
								100
								150
								100
190	210				3	190	210	100
								150
								100
								150
								100
200	230				3	200	230	150
								200
								150
								200
								150