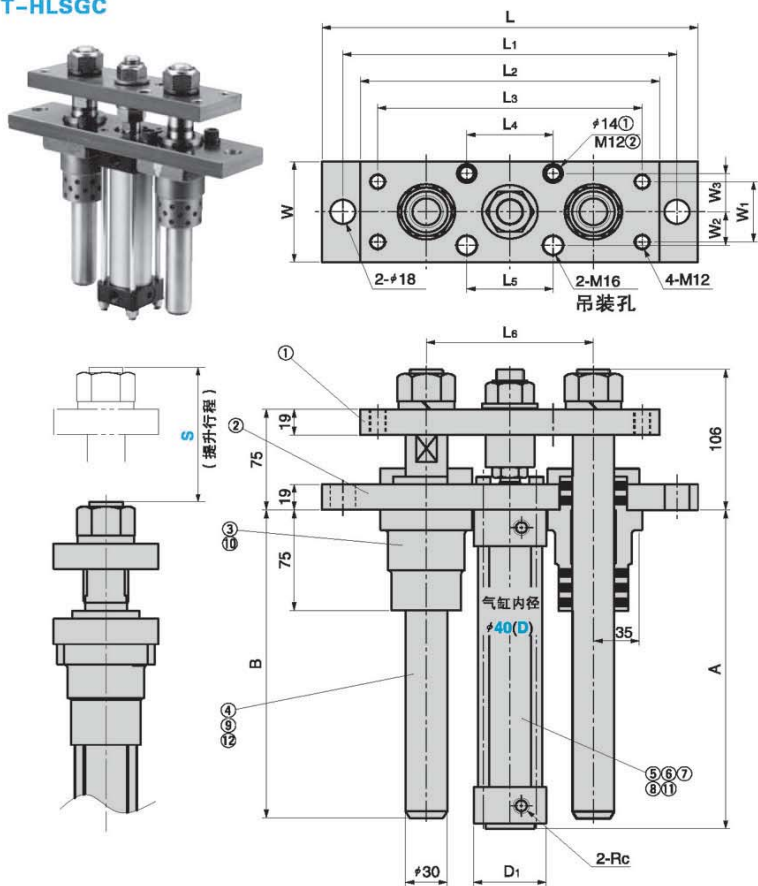


T-HLSGC



材料明细表

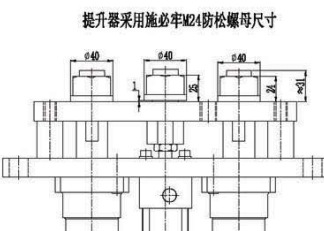
| No. | 名称 | 数量 | 材料备注 | No. | 名称 | 数量 | 材料备注 |
|-----|-----|----|--|-----|-------|----|------------------------------|
| ① | 提升板 | 1 | Q235 | ⑦ | 内六角螺钉 | 4 | M6(For D=40) M8(For D=63) |
| ② | 固定板 | 1 | Q235 | ⑧ | U型螺母 | 1 | M20 |
| ③ | 导套 | 2 | HT250+石墨 | ⑨ | U型螺母 | 2 | M24 |
| ④ | 导柱 | 2 | 45 HRC50~60 | ⑩ | 内六角螺钉 | 4 | M12×35 |
| ⑤ | 气缸 | 1 | MB40 by SMC(For D=40) MB63 by SMC(For D=63) | ⑪ | 平垫圈 | 1 | M20 |
| ⑥ | 连接块 | 1 | Q235 | ⑫ | 弹性垫圈 | 2 | M24 |

| A | B | Rc | D1 | L | L1 | L2 | L3 | L4 | L5 | L6 | W | W1 | W2 | W3 | 规格 | 气缸内径 D | 行程 S |
|-----|-----|-----|----|-----|-----|-----|-----|----|----|-----|----|----|----|----|---------|--------|------|
| 138 | 130 | | | | | | | | | | | | | | | | 50 |
| 163 | 155 | | | | | | | | | | | | | | | | 75 |
| 188 | 180 | | | | | | | | | | | | | | | | 100 |
| 213 | 205 | | | | | | | | | | | | | | | | 125 |
| 238 | 230 | | | | | | | | | | | | | | | | 150 |
| 263 | 255 | 1/4 | 52 | 270 | 240 | 215 | 190 | 66 | 60 | 120 | 75 | 45 | 25 | 28 | | 40 | 175 |
| 288 | 280 | | | | | | | | | | | | | | | | 200 |
| 313 | 305 | | | | | | | | | | | | | | | | 225 |
| 338 | 330 | | | | | | | | | | | | | | | | 250 |
| 363 | 355 | | | | | | | | | | | | | | | | 275 |
| 388 | 380 | | | | | | | | | | | | | | | | 300 |
| 148 | 130 | | | | | | | | | | | | | | T-HLSGC | | 50 |
| 173 | 155 | | | | | | | | | | | | | | | | 75 |
| 198 | 180 | | | | | | | | | | | | | | | | 100 |
| 223 | 205 | | | | | | | | | | | | | | | | 125 |
| 248 | 230 | | | | | | | | | | | | | | | | 150 |
| 273 | 255 | 3/8 | 75 | 290 | 260 | 235 | 215 | 96 | 70 | 145 | 90 | 70 | 30 | 32 | | 63 | 175 |
| 298 | 280 | | | | | | | | | | | | | | | | 200 |
| 323 | 305 | | | | | | | | | | | | | | | | 225 |
| 348 | 330 | | | | | | | | | | | | | | | | 250 |
| 373 | 355 | | | | | | | | | | | | | | | | 275 |
| 398 | 380 | | | | | | | | | | | | | | | | 300 |

订购举例 **规格 (D) - S**
T-HLSGC 40 - 150

- 气缸实际输出压力：
当空气压力为500KPa时，大约600X0.7=420N。
- 如果想要使用其它类型气缸，请联系我们。

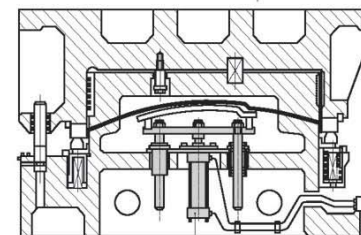
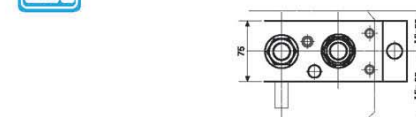
供参考的模具上安装位置



| 气缸内径 D | W | C1 | C2 |
|--------|----|----|----|
| 40 | 75 | 85 | 50 |
| 63 | 90 | 95 | 60 |

应用举例

供参考的模具上安装位置



T-HLSGC